

# Standard 2MP Smart Starlight Box Network Camera



## Key Benefits

- 2MP resolution (1920 × 1080), H.265
- 60fps@2MP
- True day / night
- Support ABF (Auto Back Focus)
- True WDR, up to 120dB
- 3D DNR, HLC & BLC
- Defog
- Triple streams
- Smart codec by ROI
- 2-way audio & alarm in/out
- Onboard storage
- PoE power supply
- Advanced intelligent video analytics
- Facial Recognition/ Identification
- Smart non-false alarm

The Illustra 2MP Smart Starlight Box network Camera by Tyco provides improved low light video performance. It provides clear and relevant images regardless of lighting conditions, time-of-day or object movement. Combined with built-in video intelligence, starlight cameras can deliver detailed monochrome images where other cameras show no image at all.

Additionally, this HD camera comes with a rich feature-set that includes True WDR, PoE, and 3D DNR to meet a wide variety of video surveillance applications.

### Exceptional Image Quality

With 2MP @ 60fps the camera produces exceptionally high image quality. It supports H.265/H.264/MJPEG video compression, multi-level video streaming configuration, support Basic/Main/ High Profile H.265 encoding complexity.

This box camera can support up to 256 GB Micro SD/SDHC/SDXC card storage, 10M/100M Ethernet Port, Audio I/O, it supports G.711 A/U law, Alarm I/O and CVBS analog output.

### Authentication Support for Higher Security

Illustra IP cameras have been designed to protect against cyber-threats. Additionally, for greater security, the Camera supports three-level user authentication- management, user

and password authorization, IP address filtering and anonymous access. Other vital security features include security certificates such as HTTPS, Support Creating Certificate and lock user IP feature for multiple login error. Basic authentication is supportable in Web browser configuration.

## ONVIF Support

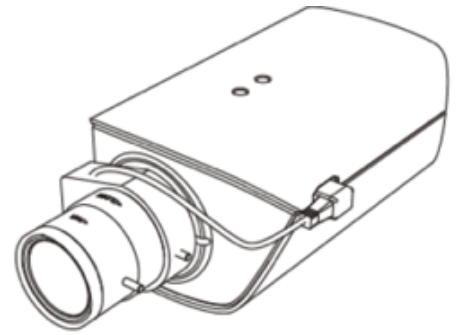
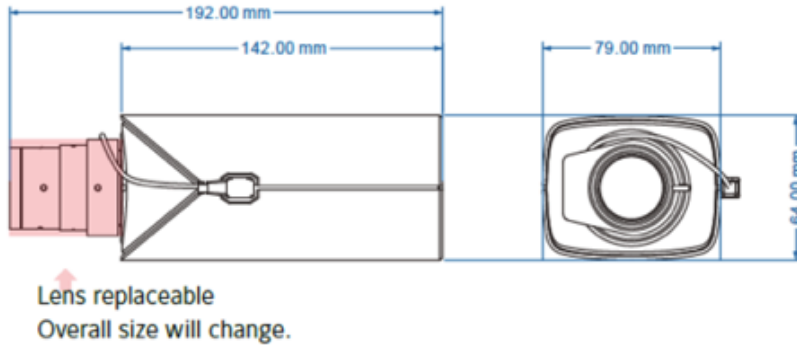
Camera supports ONVIF (Profile S, G & T) protocol, up to 3 streams providing flexibility of video stream recording, live view at different resolutions and bitrate configuration options.

## Specifications

Camera	
Image Sensor	1/1.8" Progressive Scan CMOS
Effective Pixels	1920 × 1080
Min. Illumination	0.005 Lux @ F1.2, AGC ON; 0.008 Lux @ F1.6, AGC ON
Shutter Speed	1 s to 1/100,000 s
S/N Ratio	≥52 dB
Lens	
Focal Length	None
ABF	Yes
Iris Type	DC-Iris
Lens Mount	C/CS
Video	
Video Compression	H.265 / H.264 / MJPEG
H.264 Compression Standard	Base Line / Main Profile / High Profile
H.265 Compression Standard	Main Profile @ Leve4.1 High Tier
Resolution	1080P (1920x1080), 720P (1280x720), D1, CIF, 480 x 240
Max. Frame Rate	30fps @ all resolution, 60fps @ 1080P
Video Bit Rate	64 Kbps - 6 Mbps
Multiple Streaming	Triple streams
Main Stream	60Hz : 1080P(1-60fps) / 720P(1-30fps) 50Hz : 1080P(1-50fps) / 720P( 1-25fps)
Sub Stream	60Hz: 1080P / 720P / D1 / CIF / 480×240 (1-30fps) 50Hz: 1080P / 720P / D1 / CIF / 480×240 (1-25fps)
Third Stream	60Hz: D1 / CIF / 480×240 (1-30fps) 50Hz: D1 / CIF / 480×240 (1-25fps)
Smart Codec	ROI, 3 zones
Quality Control	Five levels under VBR; Freely adjustable under CBR
Image Setting	time stamp, text overlay, flip & mirror, ROI, Saturation, Brightness, Chroma, Contrast, Wide Dynamic, Sharpen, white balance, video rotation, Scheduled profile settings, AGC
Audio	
Audio Communication	Bi-directional audio (2-way)
Audio Compression Format	G711ulaw / G711alaw
Audio Bit Rate	128 Kbps
Operational	
Day & Night	IR cut filter with auto switch
Wide Dynamic Range	True WDR, 120dB
IR Distance	NA
Digital Zoom	Yes
Image Features	Defog, BLC, HLC, 2D/3D DNR
Corridor Pattern	Yes
Video Privacy	4 zones video mask

Intelligent Video Analytics	<b>Perimeter Protection</b> Line crossing, region Entering/Exiting/ Intrusion (human/motor vehicle/ non-motor vehicle classification)	<b>Target Counting</b> Line crossing human/ motor vehicle/non-motor vehicle counting	<b>Exception Detection</b> Scene change, video blur and video color cast detection	<b>Facial Analytics</b> Face detection, Face capture and Face recognition/identification
Alarm Triggers	Motion detection, Intelligent video analytics, Network disconnect, video tampering, IP address conflict, illegal login, HDD full, HDD error, Alarm input, Alarm output			
Edge Storage	Built-in micro SD card slot, up to 256 GB			
Backfilling	Supported			
<b>Network</b>				
Network Protocol	TCP/IP, UDP, DHCP, NTP, RTSP, PPPoE, SMTP, FTP, SNMP, UPnP, Unicast, Multicast, ICMP, HTTP, HTTPS, DNS, DDNS, RTP, RTCP, IGMP, 802.1X, QoS, IPv4, IPv6, Bonjour, ARP			
Cyber Security	HTTPS / IP Filter / IEEE 802.1X / Blacklist & whitelist / account security / telnet access control / serial password			
Online Connection	Support simultaneous monitoring for up to 10 users; Support multi-stream real time transmission			
Remote Monitoring	Webviewer browsing, Holis Pro, Holis Lite, ExacqVision, victor			
API	ONVIF Profile (S, G & T), HAPI3, iAPI3			
<b>Interface</b>				
Network	1 RJ45 10M/100M self-adaptive ethernet port			
Audio	Line IN × 1, Line OUT × 1			
Video Output	CVBS video output (BNC × 1)			
Onboard Storage	Built-in micro SD/SDHC/SDXC slot			
Alarm	Alarm IN x 2, Alarm OUT x 2			
Hardware Reset	Yes			
<b>Environmental</b>				
Operating Temperature	-30°C to 60°C			
Operating Humidity	95% or less (non-condensing)			
<b>General</b>				
Power Supply	AC24V / DC12V / PoE			
Power Consumption	< 11W			
Dimensions (mm)	142 × 79 × 64			
Material	Metals			
Weight	≈ 0.65kg			
Installation	Wall mounting, ceiling mounting			
<b>Regulatory</b>				
Emissions	FCC Part 15.107 Class A, FCC Part 15.109 Class A , EN 55032, EN 55035 (IEC 61000-4-2, IEC 61000-4-3, IEC 61000-4-4, IEC 61000-4-5, IEC 61000-4-6, IEC 61000-4-8)			
Immunity	EN 55030-4			
Safety	UL 62368-1, IEC 62368-1 EN 62368-1, CAN/CSA C22.2 No. 62368-1-14, J62368-1, AS/NZA 62368.1			
Environment	RoHS (IEC 62321-3-1, IEC 62321-5, IEC 62321-4, IEC 62321-6, IEC 62321-7, IEC 62321-7-2, IEC 62321-8), WEEE, REACH			
NDAA Compliant	Yes			

## Dimensions



## Accessories



## Ordering Information

	Model Number	Description
Camera	ISV-X02N005SAF	H.265 2MP Box N/W Camera, 1/1.8" CMOS, C/S, DC12V/AC24V/PoE, SD, Smart IVA, Facial Recognition/ Identification
Accessories	ISBXWM01	Wall mount bracket for STD Box Camera

## Approvals



## About Johnson Controls

Johnson Controls is a global diversified technology and multi-industrial leader serving a wide range of customers in more than 150 countries. Our 120,000 employees create intelligent buildings, efficient energy solutions, integrated infrastructure and next generation transportation systems that work seamlessly together to deliver on the promise of smart cities and communities. Our commitment to sustainability dates back to our roots in 1885, with the invention of the first electric room thermostat.

For additional information, please visit [www.tycosecurityproducts.in](http://www.tycosecurityproducts.in) or follow Illustra on LinkedIn, Twitter, and Facebook.