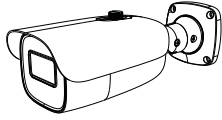


Illustra Standard V Series Bullet Camera Quick Start Guide

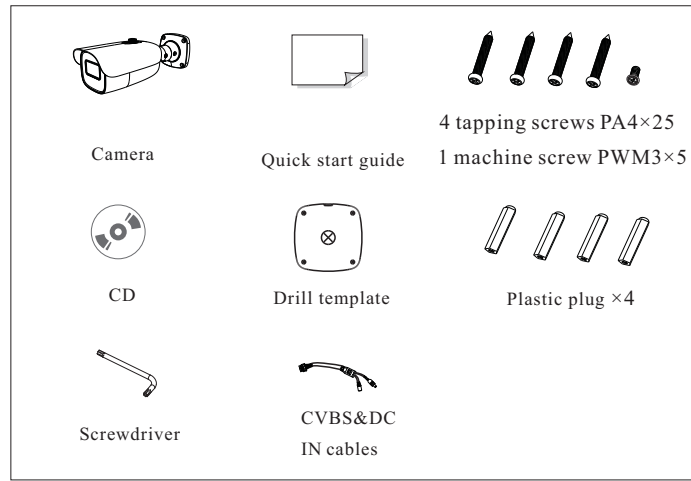


- Please read this instruction carefully before using the product and keep it for further reference.
- All the examples and pictures used here are for reference only.
- The contents of this manual are subject to change without notice.

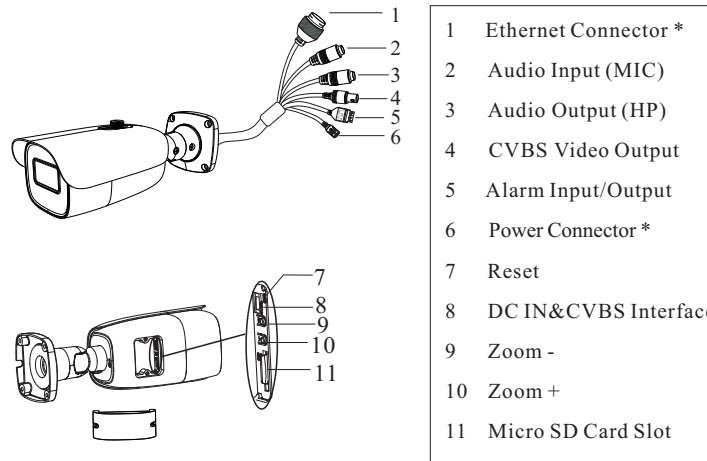
1 Warning and Caution

- If the product does not work properly, please contact your dealer or the nearest service center. Never attempt to disassemble the camera yourself. (We shall not be responsible for any problems caused by unauthorized repair or maintenance.)
- Do not allow water or liquid intrusion into the camera.
- In the use of the product, you must be strict compliance with the electrical safety regulations of the nation and region. When the product is mounted on wall or ceiling, the device shall be firmly fixed.
- Do not use camera beyond specified voltage range.
- Do not drop the camera or subject it to physical shock.
- Avoid touching the camera lens.
- If cleaning is necessary, please use clean cloth to wipe it gently. If the device will not be used for a long time, please cover the lens cap to protect the device from dirt.
- Do not aim the camera at the sun or extra bright place.
- Do not place the camera in extremely hot, cold (the operating temperature shall be -30°C~60°C), dusty or damp locations, and do not expose it to high electromagnetic radiation.
- To avoid heat accumulation, good ventilation is required for operating environment.

2 Package



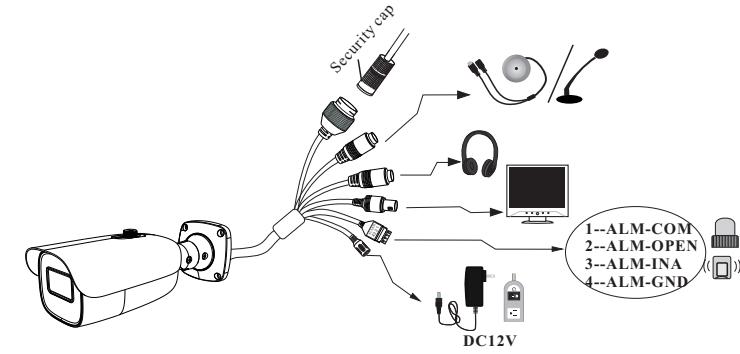
3 Overview



* 1 It is recommended to install the security cap for outdoor installation.

* 2 This series can be powered by AC24VDC 12V/PoE power supply. If the PoE switch is used to power the camera, AC24V/DC12V power supply is not required.

* 3 AC24V power supply is not available for ISV-B05M023-N/ISV-B05M024S-N/JSV05-B02-OI01.

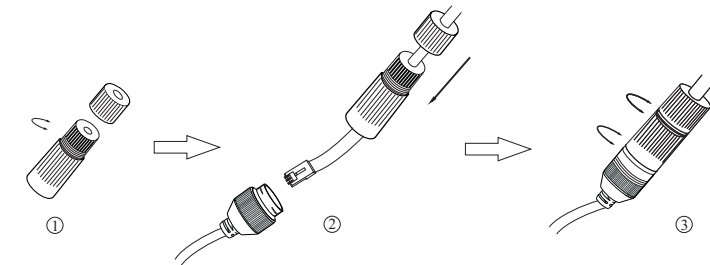


● Alarm Connection

Alarm Input: Join the grounding ends of the sensor and the camera and then connect the signal cable of the sensor to the alarm input port of the camera.

Alarm Output: Loosen the screws in the alarm output port. Then insert the signal wires of the alarm output devices into the port of COM and OPEN separately. Finally tighten the screws. Some of the external alarm output devices need the power supply.

● Connecting Network Cable

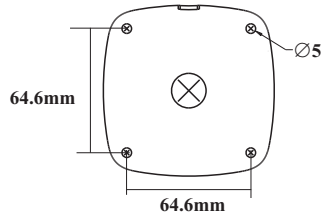


- ① Loosen the nut from the main element.
- ② Run the network cable (without RJ 45 connector) through the both elements. Then crimp the cable with RJ 45 connector.
- ③ Connect the cable to the hermetic connector. Then tighten the nut and the main cover.

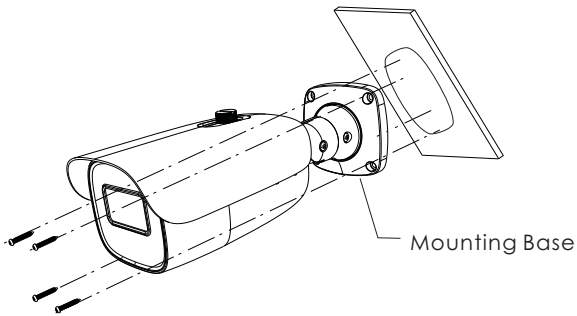
4 Installation

Please make sure that the wall or ceiling is strong enough to withstand 3 times the weight of the camera. Please install the camera in the dry environment. You'd better install back the cover of the camera less than 4 hours after removing it.

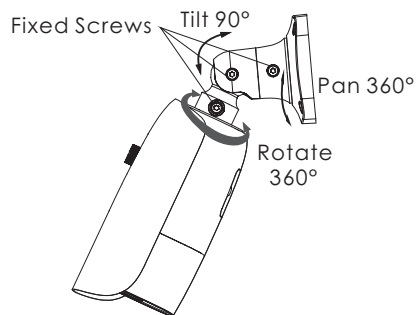
① Drill the screw holes and the cable hole (if you want to route through the ceiling) on the wall or ceiling according to the drill template.



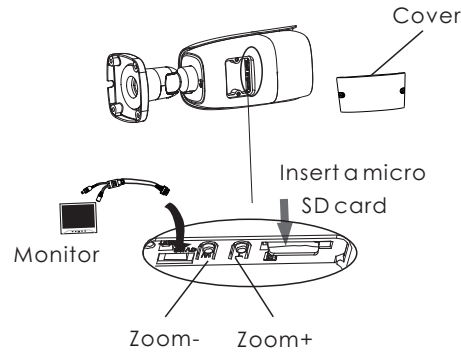
- ② Route the cables and connect the relevant cables.
- ③ Fasten the mounting base to the wall with the screws provided.



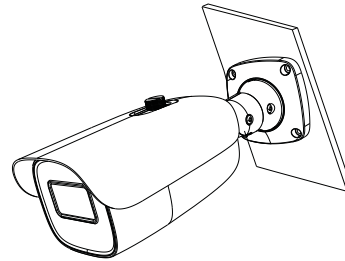
④ Bracket adjustment. Before adjustment, preview the image of the camera on a monitor (See the left figure of step ⑤) and then loosen the fixed screws to adjust the view angle of the camera. After that, tighten the fixed screws.



⑤ Open the cover of the camera as shown in the following figure and then insert a micro SD card. After that, press the T or W button to obtain an optimum image. Before adjustment, view the image of the camera on a monitor.

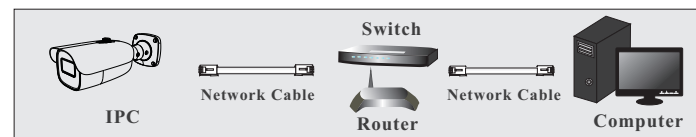


⑥ Install the cover back to the camera and fix it firmly with the screws. (Note that the cover should not be installed unevenly.)



5 Network Connection

● Access the camera through TycoIPTool



- ① Make sure that the camera and the PC are well connected to the LAN.
- ② Find the TycoIPTool from the CD and then install it in the computer. After that, run the TycoIPTool as shown below.

Device Name	Device Type	Product Model	IP Address	Http Port	Data Port	Subnet	Modify Network Parameter
name	IPC	xxx	192.168.1.168	80	9008	255.255	Mac Address CE:98:23:75:35:22
name	IPC	xxx	192.168.1.2	80	9008	255.255	IP Address 192.168.1.168
name	IPC	xxx	192.168.1.3	80	9008	255.255	Subnet Mask 255.255.255.0
							Gateway 192.168.1.1

③ Modify the IP address. The default IP address of this camera is 192.168.1.168. Click the information of the camera listed in the above table to show the network information on the right hand. Modify the IP address and gateway of the camera and make sure its network address is in the same local network segment as that of the computer. Please modify the IP address of your device according to the practical situation.

Modify Network Parameter

Mac Address

IP Address

Subnet Mask

Gateway

Tip: Enter the administrator password, and then modify the network parameters.

For example, the IP address of your computer is 192.168.1.4. So the IP address of the camera shall be changed to 192.168.1.X and the gateway shall be changed to 192.168.1.1. After modification, please enter the password of the administrator and click “Modify” button to modify the settings.

⚠ The default password of the administrator is “*admin*”.

④ Double-click the camera listed in the IP-Tool or manually enter the IP address in the address bar of the web browser to connect IP-CAM. Then follow directions to download and install the plugin.

⑤ Enter the username and password in the login interface.

⚠ The default username is *admin*; the default password is *admin*.

Available Models:

ISV-B05M023S-N	ISV-B05M024S-N	ISA-B02M015S-N	ISV-B04M015S-N
ISV-B02M014S-N	ISV-B02M013S-N	ISA-B04M015S-N	
ISV-B02M023S-N	ISV-B02M024S-N	ISV-B02M015S-N	