

# Standard 2MP Motorized V/F IR Smart Bullet Network Camera



## Key Benefits

- 2MP resolution (1920 × 1080), H.265
- True day / night
- Up to 70m IR distance with Smart IR
- Auto focus by motorized V/F lens
- True WDR, up to 120dB
- 3D DNR, HLC & BLC
- Defog
- Triple streams
- Smart codec by ROI
- 2-way audio & alarm in/out
- Onboard storage
- Advanced intelligent video analytics
- Face detection / capture
- Smart non-false alarm
- IP67 / IK10

The Illustra 2MP Motorized V/F IR Smart Bullet Camera by Tyco comes with several intelligent functions in-built for high-quality video surveillance. Additionally, this HD camera comes with a rich feature-set that includes True WDR, PoE, and 3D DNR to meet a wide variety of video surveillance applications capturing high quality colored images in back light environment.

### Exceptional Image Quality

With 2MP, 1920x1080 resolution @ 30fps the camera produces exceptionally high image quality. It supports H.265/H.264/MJPEG video compression, multi-level video streaming configuration, support Basic/Main/ High Profile H.265 encoding complexity.

This bullet camera can support up to 256 GB Micro SD/SDHC/SDXC card storage, 10M/100M Ethernet Port, Audio I/O, it supports G.711 A/U law, Alarm I/O and CVBS analog output.

### Authentication Support for Higher Security

Illustra IP cameras have been designed to protect against cyber-threats. Additionally, for greater security, the Camera supports three-level user authentication- management, user and password authorization, IP address filtering and anonymous access. Other vital security

features include security certificates such as HTTPS, Support Creating Certificate and lock user IP feature for multiple login error. Basic authentication is supportable in Web browser configuration.

## ONVIF Support

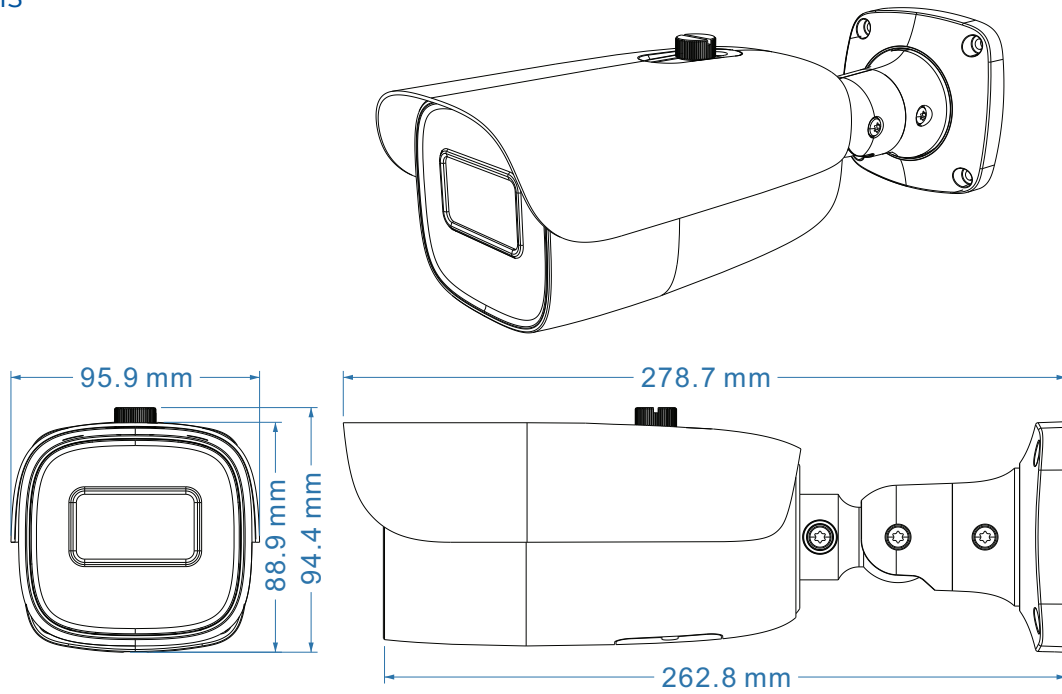
Camera supports ONVIF (Profile S, G & T) protocol, up to 3 streams providing flexibility of video stream recording, live view at different resolutions and bitrate configuration options.

## Specifications

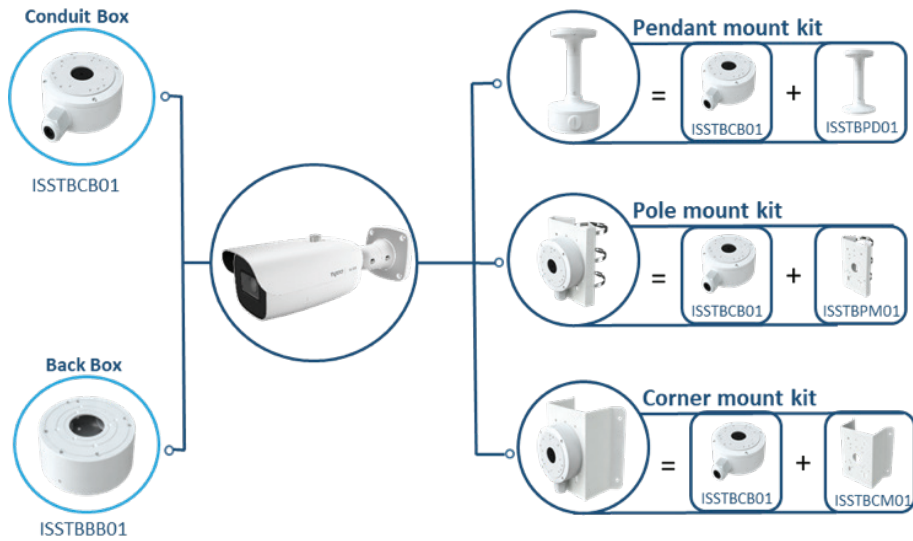
Camera	
Image Sensor	1/2.8" Progressive Scan CMOS
Effective Pixels	1920 × 1080
Min. Illumination	0.005 Lux @ F1.2, AGC ON; 0.008 Lux @ F1.6, AGC ON; 0 lux with IR
Shutter Speed	1 s to 1/100,000 s
S/N Ratio	≥52 dB
Angle Adjustment	Any angle
Lens	
Focal Length	2.8 - 12 mm, motorized varifocal zoom lens, auto focus
Iris Type	DC-Iris
Field of View	Horizontal: 103°~ 32°, Vertical: 70.5°~18.3°
Lens Mount	Ø 14
Video	
Video Compression	H.265 / H.264 / MJPEG
H.264 Compression Standard	Base Line / Main Profile / High Profile
H.265 Compression Standard	Main Profile @ Leve4.1 High Tier
Resolution	1080P ( 1920 x 1080 ), 720P ( 1280 x 720 ), D1, CIF, 480 x 240
Max. Frame Rate	30fps @ all resolution
Video Bit Rate	64 Kbps - 6 Mbps
Multiple Streaming	Triple streams
Main Stream	60Hz : 1080P (1 - 30fps) / 720P (1 - 30fps) 50Hz : 1080P (1 - 25fps) / 720P (1 - 25fps)
Sub Stream	60Hz:720P/D1/CIF /480×240 (1~30fps) 50Hz:720P/D1/CIF/480×240 (1~25fps)
Third Stream	60Hz:D1/CIF /480×240 (1~30fps) 50Hz:D1/CIF/480×240 (1~25fps)
Smart Codec	ROI, 3 zones
Quality Control	Five levels under VBR; Freely adjustable under CBR
Image Setting	time stamp, text overlay, flip & mirror, ROI, Saturation, Brightness, Chroma, Contrast, Wide Dynamic, Sharpen, white balance, video rotation, Scheduled profile settings, AGC etc.
Audio	
Audio Communication	Bi-directional audio (2-way)
Audio Compression Format	G711ulaw / G711alaw
Audio Bit Rate	128kbps
Operational	
Day & Night	IR cut filter with auto switch
Wide Dynamic Range	True WDR, 120dB
IR Distance	Up to 70m
Digital Zoom	Yes

Image Features	Defog, BLC, HLC, 2D/3D DNR				
Corridor Pattern	Yes				
Video Privacy	4 zones video mask				
Intelligent Video Analytics	<b>Basic Video Analytics</b> Object Abandoned / Missing Crowd Density Heat Map	<b>Perimeter Protection</b> Line crossing, region Entering/Exiting/ Intrusion (human/ motor vehicle/ non-motor vehicle classification)	<b>Target Counting</b> Line crossing human/ motor vehicle/non- motor vehicle counting	<b>Exception Detection</b> Scene change, video blur and video color cast detection	<b>Face Detection</b> Face detection and face capture
Alarm Triggers	Motion detection, Intelligent video analytics, Network disconnect, video tampering, IP address conflict, illegal login, HDD full, HDD error, Alarm input, Alarm output				
Edge Storage	Built-in micro SD card slot, up to 256 GB				
Backfilling	Supported				
<b>Network</b>					
Network Protocol	TCP/IP, UDP, DHCP, NTP, RTSP, PPPoE, SMTP, FTP, SNMP, UPnP, Unicast, Multicast, ICMP, HTTP, HTTPS, DNS, DDNS, RTP, RTCP, IGMP, 802.1X, QoS, IPv4, IPv6, Bonjour, ARP				
Cyber Security	HTTPS / IP Filter / IEEE 802.1X / Blacklist & whitelist / account security / telnet access control / serial password				
Online Connection	Support simultaneous monitoring for up to 10 users; Support multi-stream real time transmission				
Remote Monitoring API	Webviewer browsing, Holis Pro, Holis Lite, ExacqVision, victor ONVIF Profile (S, G & T), HAPI3, iAPI3				
<b>Interface</b>					
Network	1 RJ45 10M/100M self-adaptive ethernet port				
Audio	Line IN × 1, Line OUT × 1				
Video Output	CVBS video output (BNC × 1)				
Onboard Storage	Built-in micro SD/SDHC/SDXC slot				
Alarm	Alarm IN x 1, Alarm OUT x 1				
Hardware Reset	Yes				
<b>Environmental</b>					
Operating Temperature	- 30 °C to 60 °C				
Operating Humidity	95% or less (non-condensing)				
Ingress Protection	IP67				
Vandal Resistance	IK10				
<b>General</b>					
Power Supply	DC12V / PoE				
Power Consumption	< 12W				
Dimensions (mm)	278.7× 95.9× 94.4				
Material	Metals				
Weight	≈ 1.15kg				
Installation	Wall mounting, ceiling mounting				
<b>Regulatory</b>					
Emissions	FCC Part 15.107 Class A, FCC Part 15.109 Class A , EN 55032, EN 55035 (IEC 61000-4-2, IEC 61000-4-3, IEC 61000-4-4, IEC 61000-4-5, IEC 61000-4-6, IEC 61000-4-8)				
Immunity	EN 55030-4				
Safety	UL 62368-1, IEC 62368-1 EN 62368-1, CAN/CSA C22.2 No. 62368-1-14, J62368-1, AS/NZA 62368.1				
Environment	RoHS (IEC 62321-3-1, IEC 62321-5, IEC 62321-4, IEC 62321-6, IEC 62321-7, IEC 62321-7-2, IEC 62321-8), WEEE, REACH				
NDA Compliant	Yes				

Dimensions



Accessories



## Ordering Information

	Model Number	Description
Camera	ISV-B02M014S-N	H.265 2MP Motorized V/F IR Bullet N/W Camera, 2.8-12mm, 70M, Micro SD, DC12V/PoE, IP67/IK10, Smart IVA
Accessories	ISSTBCB01	Conduit Box for IR Bullet
Accessories	ISSTBBB01	Backbox for IR Bullet
Accessories	ISSTBPD01	Pendant mount for IR Bullet (use with ISSTBCB01)
Accessories	ISSTBPM01	Pole mount for IR Bullet (use with ISSTBCB01)
Accessories	ISSTBCM01	Corner mount for IR Bullet (use with ISSTBCB01)

## Approvals




---

## About Johnson Controls

Johnson Controls is a global diversified technology and multi-industrial leader serving a wide range of customers in more than 150 countries. Our 120,000 employees create intelligent buildings, efficient energy solutions, integrated infrastructure and next generation transportation systems that work seamlessly together to deliver on the promise of smart cities and communities. Our commitment to sustainability dates back to our roots in 1885, with the invention of the first electric room thermostat.

For additional information, please visit [www.tycosecurityproducts.in](http://www.tycosecurityproducts.in) or follow Illustra on LinkedIn, Twitter, and Facebook.