

# Standard 4MP 30x Network IR PTZ Outdoor Camera



## Key Benefits

- 1/1.9" progressive scan CMOS
- Up to 2688×1520 resolution
- Min. illumination:  
Color: 0.005 Lux @(F1.5, AGC ON)  
B/W: 0.002 Lux @(F1.5, AGC ON) 0 Lux with IR
- 30× optical zoom,  
16× digital zoom
- Defog, EIS, 3D DNR, BLC, HLC, WDR
- Up to 200 m IR distance
- 24 VAC & Hi-PoE
- Support H.265+/H.265 video compression

The Illustra Standard 4MP IP IR PTZ outdoor camera Model ISS04P6ONWIT is a versatile camera by Tyco ideal for security-critical environments.

The high performance IR helps ensure that objects are detected over long distances at night even in the most challenging low light conditions. The IR function of this camera covers an impressive distance upto 200m.

## System Function

The Illustra Standard Network IR PTZ incorporates a 4MP high performance, progressive scan CMOS sensor for full HD quality images up to 2688×1520 resolution. The camera supports intelligent tracking, scheduled PTZ movement and 3D intelligent positioning function for auto tracking to the specified zone.

## ONVIF Profile S, G & T Support

The IR PTZ Camera is designed to ensure greater interoperability and compatibility on ONVIF Platform.

## Camera Function

The IR PTZ camera incorporates a lens of focal Length 4.3-129mm with 30X optical zoom and 16X digital zoom. The versatile camera supports several features critical for a PTZ camera. These include auto-iris and auto-focus capabilities. The auto white balance feature is supported for different modes and situations such as Indoor, Outdoor, Daylight lamp, Sodium lamp. Backlight compensation support is very useful to avoid silhouettes and to get better images of the subject of interest.

## Powerful PTZ Capabilities

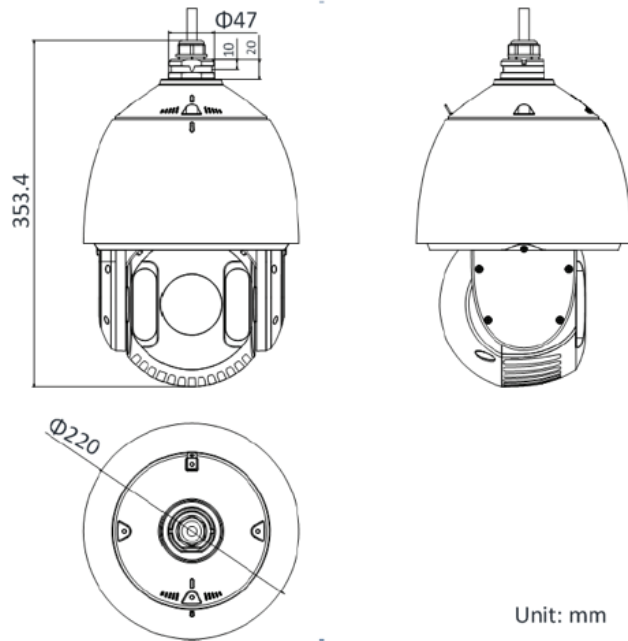
A Pan Tilt & Zoom functionality is effective and supported by built-in functions to locate, track and zoom onto the security situation area with agility and speed.

## Specifications

Camera	
Image Sensor	1/1.9" Progressive Scan CMOS
Min. Illumination	Color: 0.005 Lux @(F1.5, AGC ON) B/W: 0.002 Lux @(F1.5, AGC ON) 0 Lux with IR
Shutter Speed	50Hz: 1 to 1/30,000 s 60Hz: 1 to 1/30,000 s
Focus	Auto, semi-auto, manual
Day & Night	IR cut filter
WDR	120dB
Digital Zoom	16x
SNR	>52 dB
Lens	
Focal Length	4.3mm to 129mm, 30x optical zoom
Zoom Speed	approx. 4.8 s
Field of View	Horizontal field of view: 50.8° to 1.7° (Wide-Tele) Vertical field of view: 29.4° to 1° (Wide-Tele) Diagonal field of view: 57.4° to 2° (Wide-Tele)
Aperture	F1.5 – F5.0
IR	
IR Distance	200m
Smart IR	Supported
IR Control	IR brightness and angle are intelligently adjustable according to the scenes
PTZ	
Movement Range (Pan)	360°
Movement Range (Tilt)	-15° to 90° (auto flip)
Pan Speed	Configurable, from 0.1°/s to 180°/s Preset speed: 240°/s
Tilt Speed	Configurable, from 0.1°/s to 120°/s Preset speed: 200°/s
Proportional Zoom	Support
Presets	300
Patrol Scan	8 patrols, up to 32 presets for each patrol
Pattern Scan	4 pattern scans, record time over 10 minutes for each scan
Power-off Memory	Support
Park Action	preset, pattern scan, patrol scan, auto scan, tilt scan, random scan, frame scan, panorama scan
PTZ Position Display	Support

Preset Freezing	Support
Scheduled Task	preset, pattern scan, patrol scan, auto scan, tilt scan, random scan, frame scan, panorama scan, dome reboot, dome adjust, aux output
<b>Video</b>	
Max. Resolution	2688 × 1520
Main Stream	50Hz: 25fps (2688 × 1520, 2560 × 1440, 1920 × 1080, 1280 × 960, 1280 × 720); 60Hz: 30 fps (2688 × 1520, 2560 × 1440, 1920 × 1080, 1280 × 960, 1280 × 720)
Sub-Stream	50Hz: 25fps (704 × 576, 640 × 480, 352 × 288) 60Hz: 30fps (704 × 480, 640 × 480, 352 × 240)
Third Stream	50Hz: 25fps (1920×1080, 1280× 960, 1280 × 720, 704 × 576, 640 × 480, 352 × 288) 60Hz: 30fps (1920×1080, 1280× 960, 1280 × 720, 704 × 480, 640 × 480, 352 × 240)
Video Compression	H.265+/H.265/H.264+/H.264/MJPEG
H.265 Type	main profile
H.264 Type	baseline profile, main profile, high profile
SVC	Support
Image Enhancement	HLC, BLC, 3D DNR, Defog, EIS, Regional Exposure, Regional Focus
Privacy Mask	up to 24 masks
<b>Audio</b>	
Audio Compression	G.711alaw, G.711ulaw, G.722.1, G.726, MP2L2, PCM
<b>Smart Features</b>	
Basic Event	Motion Detection, Video Tampering, Alarm Input, Alarm Output, Exception
Smart Event	Audio Exception Detection, Face Detection, Intrusion Detection, Line Crossing Detection, Region Entrance Detection, Region Exiting Detection
Region of Interest	Main stream, sub-stream, and third stream respectively support four fixed areas
Auto-Tracking	Support
Alarm Linkage	Alarm actions, such as Preset, Patrol Scan, Pattern Scan, Memory Card Video Recording, Trigger Recording, E-Map, VCA Capture, Upload to FTP, Send Email
<b>Network</b>	
Network Storage	NAS (NFS, SMB/ CIFS)
Protocols	IPv4/IPv6, HTTP, HTTPS, 802.1x, QoS, FTP, SMTP, UPnP, SNMP, DNS, DDNS, NTP, RTSP, RTCP, RTP, TCP, UDP, IGMP, ICMP, DHCP, PPPoE, Bonjour
ONVIF	Profile S, Profile G & Profile T
Simultaneous Live View	20
User/Host	32
Smooth Streaming	Support
Cyber Security	User authentication (ID and PW), Host authentication (MAC address); HTTPS encryption; IEEE 802.1x port-based network access control; IP address filtering
Web Browser	IE 8 to 11, Chrome 31.0+, Firefox 30.0+
<b>Interface</b>	
Communication Interface	1 RJ45 10 M/100 M Ethernet, Hi-PoE
On-board Storage	Built-in memory card slot, support Micro SD/SDHC/SDXC, up to 128 GB;
Alarm Input/Output	2 alarm inputs / 1 alarm output
Audio Input/Output	1 audio input / 1 audio output
<b>General</b>	
Power	24 VAC, Hi-PoE
Power Consumption and Current	Max. 40 W, including Max. 19 W for IR and Max. 10 W for heater
Operating Conditions	-30°C to 65°C (-22°F to 149°F); Humidity 90% or less (non-condensing)
Dimensions	∅ 220 mm × 353.4 mm (∅ 8.66" × 13.91")
Weight	Approx. 4.5 kg (9.92 lb.)
Protection	IP67 Standard, IK10 (excluding glass window), 4000V Lightning Protection, Surge Protection and Voltage Transient Protection
Certification	CE, FCC, UL, BIS, IEC61000-4-5:2014 (Surge Immunity Test)

## Dimensions



## Ordering Information

	Model Number	Description
Camera	ISS04P6ONWIT	H.265 4MP 30x Network IR PTZ Camera, 1/1.9" CMOS, 200M IR, Micro SD, IP67/IK10, Smart IVA

## About Johnson Controls

Johnson Controls is a global diversified technology and multi-industrial leader serving a wide range of customers in more than 150 countries. Our 120,000 employees create intelligent buildings, efficient energy solutions, integrated infrastructure and next generation transportation systems that work seamlessly together to deliver on the promise of smart cities and communities. Our commitment to sustainability dates back to our roots in 1885, with the invention of the first electric room thermostat.

For additional information, please visit [www.tycosecurityproducts.in](http://www.tycosecurityproducts.in) or follow Illustra on LinkedIn, Twitter, and Facebook.